



👁 Note!

Please note that there can be small differences between your product and the images in these instructions.

👁 Note!

Please note that during storage and transport, especially at high ambient temperature, some of the oil and grease used for assembly may leak and stain the packaging. This will not cause damage to the product, wipe off the excessive oil or grease with a cloth.

Kit Contents	
Description	Pcs
Shock absorber	2
Upper spring seat	2
Dust boot	2
Spring	2
Nylon nut M14	2
Used for both front and rear	
C-spanner	2
Öhlins Sticker	1
Öhlins Owner's Manual	1

👁 Note!

Before you install this product, check the kit contents. If anything is missing, please contact an Öhlins dealer.

⚠ Warning!

Before you install this product, read the Öhlins Owner's manual. This product is an important part of the vehicle and the vehicle stability.

Shock Absorber Kit for BMW MINI (R56)

BMS MI20 front

Mounting Instructions

MOUNTING INSTRUCTIONS

⚠ Warning!

We strongly recommend to let an Öhlins dealer install this product.

⚠ Warning!

If you work with a lifted vehicle, make sure that it is safely supported to prevent it from tipping over.

👁 Note!

When you work with this product, see the vehicle service manual for vehicle specific procedures and important data.

👁 Note!

Before you install this product clean the vehicle.

1

Raise the vehicle and put it on jack stands.

2

Remove the front wheels.

3

Remove the stabilizer links, the brake hoses and the ABS cords from the standard struts.

4

Loosen the bolts for the lower strut attachments.

👋 Caution!

Support the wheel hubs in an appropriate way on each side of the vehicle so that the brake hoses can not be damaged.

5

Loosen the upper attachments. Remove the original struts from the car.

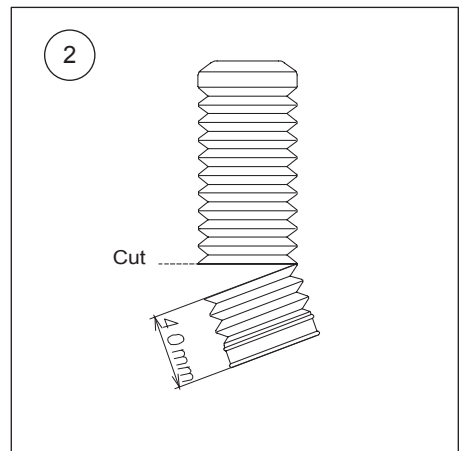
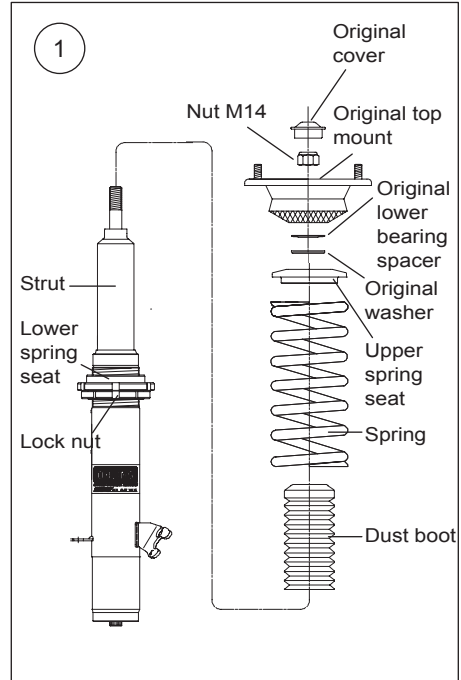
6

Cut the dust boot 40 mm from the lower end with a pair of scissors according to fig 2.

7

Tighten the lower spring seat and the lock nut to 50 - 60 Nm. Install the dust boot, the spring and the upper spring seat to the strut according to fig 1. Install the original washer, original lower bearing spacer, original top mount and the top nut.

Tighten the top nut to 35 - 40 Nm.



MOUNTING INSTRUCTIONS

8

Install the Öhlins McPherson struts on the vehicle.

9

Install the original stabilizer links, the original brake hoses and the original ABS cords to the Öhlins struts according to fig 3.

10

Fasten the upper attachments.

Note!

When tightening the top mount nut, the shock absorber shaft must be held in position with a 5 mm Allen key.

11

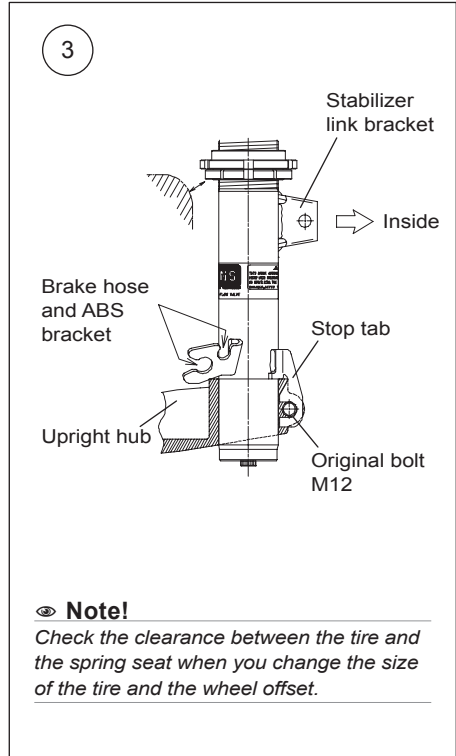
Raise the wheel hub with a jack to remove the free play of the lower strut attachment bolts before tightening them.

Note!

Make sure that all bolts are tightened to the correct torque and that nothing fouls or restricts movement of the strut when it is being fully compressed or extended. Test this over the whole steering range from lock to lock.

12

Make sure that all removed parts are reinstalled in the same way as they were before the installation of the Öhlins shock absorber.



ADJUSTMENTS

⚠ Warning!

Before you ride/drive, always make sure that the setup is according to the recommended setup data. Read about adjustments and setting up in the Öhlins Owner's Manual before you make any adjustments. Contact an Öhlins dealer if you have any questions about setting up.

The standard preload is 8 mm from a free length of 170 mm, giving 162 mm installed length, see fig 4.

SETUP DATA

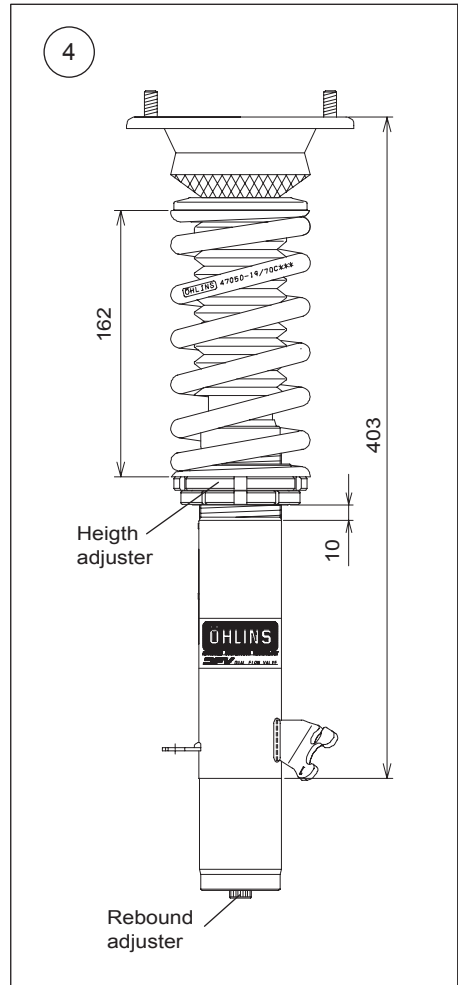
Rebound	10	clicks
Spring preload	8	mm
Shock absorber length	403	mm
Spring		
Spec: H170, ID65, 70 N/mm		

Vehicle Height

With the height adjuster in the position as shown in fig.4, the vehicle is lowered approx. 18 mm compared to the original ride height. Turning the height adjuster (spring-platform) 1 full turn changes its position by 2.0 mm.

⚠ Warning!

The adjustment range is +10/-5 mm from the position shown in fig.4. Lowering the adjuster more than -5mm may create noises, coming from less preload of the spring in full extended condition.



Öhlins products are subject to continuous improvement and development, therefore, although these instructions include the most up-to-date information available at the time of printing, minor updates may occur.

To find the latest information contact an Öhlins distributor. Please contact Öhlins if you have any questions regarding the contents in this document.

Part no. MI_BMSMI20_2
Issued 2015-08-13

© Öhlins Racing AB. All rights reserved. Any reprinting or unauthorized use without the written permission of Öhlins Racing AB is prohibited.

Öhlins Racing AB
Box 722
S-194 27 Upplands Väsby, Sweden
Phone +46 8 590 025 00
fax +46 8 590 025 80



www.ohlins.com



👁 Note!

Please note that there can be small differences between your product and the images in these instructions.

👁 Note!

Please note that during storage and transport, especially at high ambient temperature, some of the oil and grease used for assembly may leak and stain the packaging. This will not cause damage to the product, wipe off the excessive oil or grease with a cloth.

Kit Contents

Description	Pcs
Shock absorber	2
Dust boot	2
Upper spring seat	2
Spring	2
Spacer Ø 60, t7	2
Spacer Ø 16, t37	2
Lock nut M12	2
Washer t3.2	2
Special spacer with taper	2
Used for both front and rear	
C-spanner	2
Öhlins Sticker	1
Öhlins Owner's Manual	1

👁 Note!

Before you install this product, check the kit contents. If anything is missing, please contact an Öhlins dealer.

⚠ Warning!

Before you install this product, read the Öhlins Owner's manual. This product is an important part of the vehicle and the vehicle stability.

Shock Absorber Kit for BMW MINI (R56)

BMS MI20 rear

Mounting Instructions



MOUNTING INSTRUCTIONS

⚠ Warning!

We strongly recommend to let an Öhlins dealer install this product.

⚠ Warning!

If you work with a lifted vehicle, make sure that it is safely supported to prevent it from tipping over.

👁 Note!

When you work with this product, see the vehicle service manual for vehicle specific procedures and important data.

👁 Note!

Before you install this product clean the vehicle.

1

Raise the vehicle and put it on jack stands.

2

Remove the rear wheels.

3

Remove the lower and the upper attachments and remove the original shock absorbers.

4

Cut the dust boot 52 mm from the lower end with a pair of scissors according to fig 2.

5

Tighten the lower spring seat and the lock nut to 50 - 60 Nm.

Fit the dust boot, the spring, the upper spring seat, the spacers and the std top mount according to fig 1. Tighten the lock nut to 30 Nm.

👁 Note!

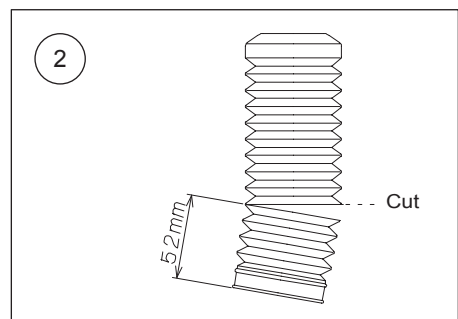
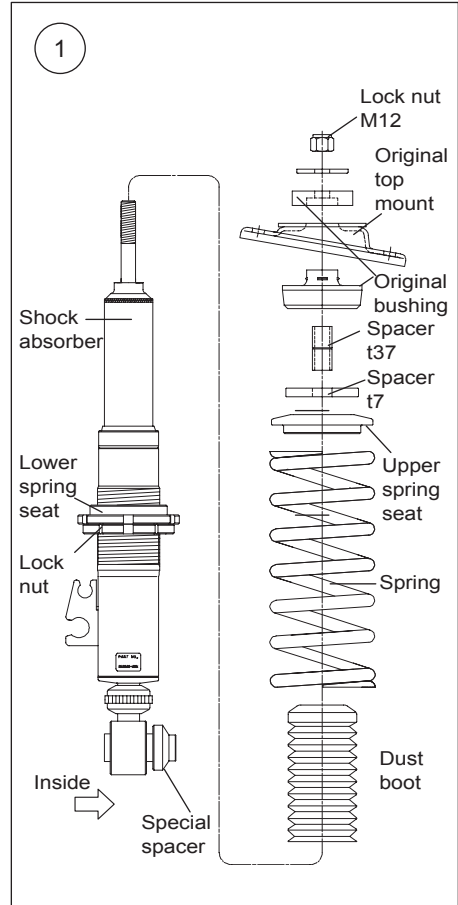
When tightening the top mount nut, the shock absorber shaft must be held in position with a 5 mm Allen key.

6

Install the Öhlins shock absorbers on the vehicle according to fig 3.

7

Fasten the upper attachments



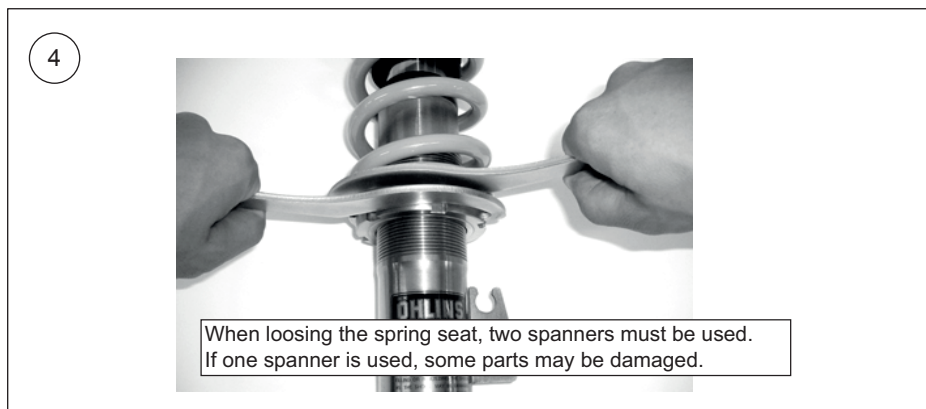
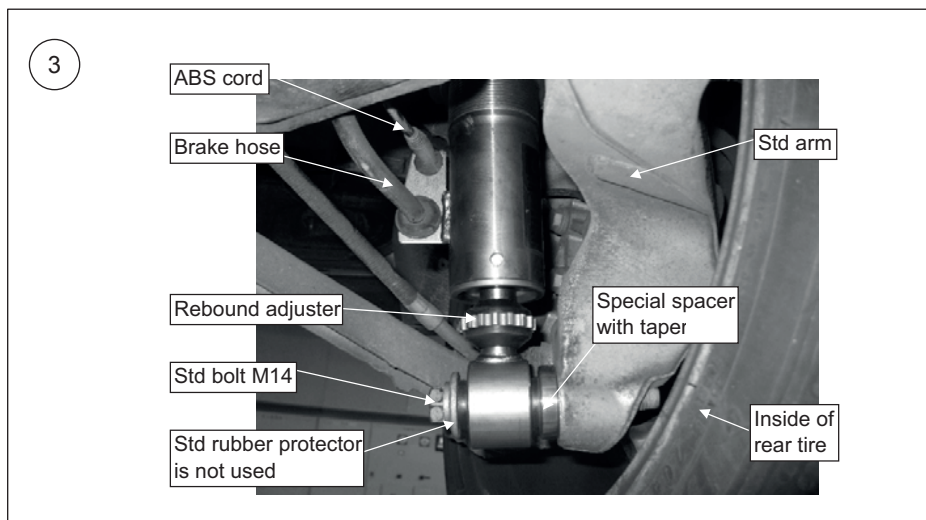
MOUNTING INSTRUCTIONS

👁 **Note!**

Make sure that all bolts are tightened to the correct torque and that nothing fouls or restricts movement of the shock absorber when it is being fully compressed or extended.

8

Make sure that all removed parts are reinstalled in the same way as they were before the installation of the Öhlins shock absorber.



ADJUSTMENTS

⚠ Warning!

Before you ride/drive, always make sure that the setup is according to the recommended setup data. Read about adjustments and setting up in the Öhlins Owner's Manual before you make any adjustments. Contact an Öhlins dealer if you have any questions about setting up.

The standard preload is 10 mm from a free length of 200 mm, giving 190 mm installed length, see fig 5.

SETUP DATA

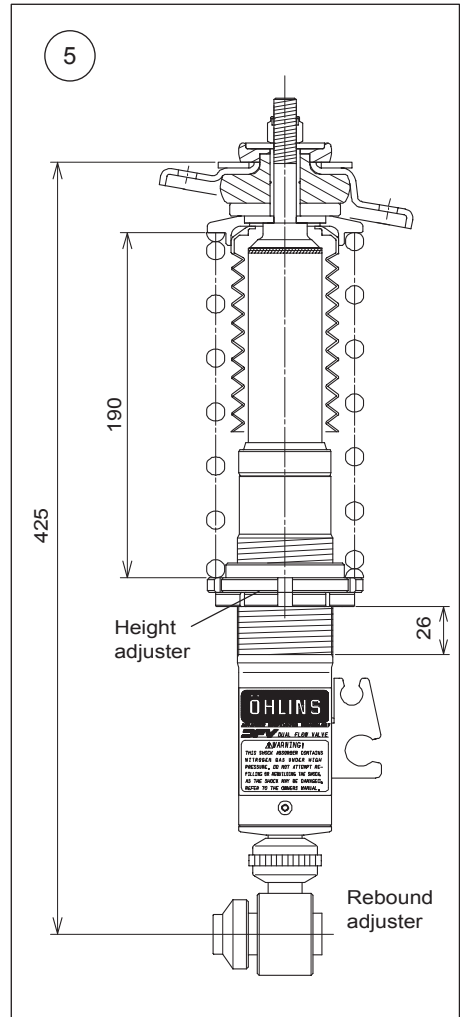
Rebound	10	clicks
Spring preload	10	mm
Shock absorber length	425	mm
Spring		
Spec: H200, ID65, 50 N/mm		

Vehicle Height

With the height adjuster in the position as shown in fig.5, the vehicle is lowered approx. 18 mm compared to the original ride height. Turning the height adjuster (spring-platform) 1 full turn changes its position by 2.0 mm.

⚠ Warning!

The adjustment range is +10/-5mm from the position shown in fig.5. Lowering the adjuster more than -5mm may create noises, coming from less preload of the spring in full extended condition.



Öhlins products are subject to continuous improvement and development, therefore, although these instructions include the most up-to-date information available at the time of printing, minor updates may occur.

To find the latest information contact an Öhlins distributor. Please contact Öhlins if you have any questions regarding the contents in this document.

Part no. MI_BMSMI20_2
Issued 2015-08-13

© Öhlins Racing AB. All rights reserved. Any reprinting or unauthorized use without the written permission of Öhlins Racing AB is prohibited.

Öhlins Racing AB
Box 722
S-194 27 Upplands Väsby, Sweden
Phone +46 8 590 025 00
fax +46 8 590 025 80



www.ohlins.com