

Kit Contents

| | Description | Part No | Pcs |
|---|-----------------------------|----------|-----|
| 1 | Shock abs. left/right front | POF 5R00 | 1 |
| 2 | Spacer | 05688-03 | 1 |
| 3 | Main spring | | 1 |
| 4 | Spring support | 05193-07 | 1 |
| 5 | Helper spring | | 1 |
| 6 | Spring seat, upper | 06211-01 | 1 |
| 7 | Lock nut | 05359-01 | 1 |
| 8 | Owner's manual | 07446-01 | 1 |

👁 Note!

Please note that there can be small differences between your product and the images in these instructions.

👁 Note!

Please note that during storage and transport, especially at high ambient temperature, some of the oil and grease used for assembly may leak and stain the packaging. This will not cause damage to the product, wipe off the excessive oil or grease with a cloth.

👁 Note!

Before you install this product, check the kit contents. If anything is missing, please contact an Öhlins dealer.

⚠ Warning!

Before you install this product, read the Öhlins Owner's manual. This product is an important part of the vehicle and the vehicle stability.

Shock Absorber for Porsche 991 GT3/GT3 RS/GT3 Cup and Porsche 981 Cayman GT4/GT4 CS

POF 5R00

Mounting Instructions



MOUNTING INSTRUCTIONS

⚠ Warning!

We strongly recommend to let an Öhlins dealer install this product.

⚠ Warning!

If you work with a lifted vehicle, make sure that it is safely supported to prevent it from tipping over.

👁 Note!

When you work with this product, see the vehicle service manual for vehicle specific procedures and important data.

👁 Note!

Before you install this product clean the vehicle.

1

Remove the wheel.

2

Remove the two damper clamping screws in the upright.

3

Remove the brake hose attachment.

4

Support the upright so that the brake hose is not damaged.

5

Untighten the three top mount nuts.

6

Remove damper from car by pushing the shock absorber and A-arm down to enable the shock absorber to be angled outward without it hitting the fender.

7

For all models except 991 GT3 Cup: Use spring compressors to preload the spring and then remove the centre top nut of the top mount.

8

For all models, except 991 GT3 Cup:

Put together the OE top mount and OE top spring seat with the main spring, spring support and helper spring.

👁 Note!

Make sure the lower edge of the spring support is facing the helper spring. See fig 2.

For 991 Cup:

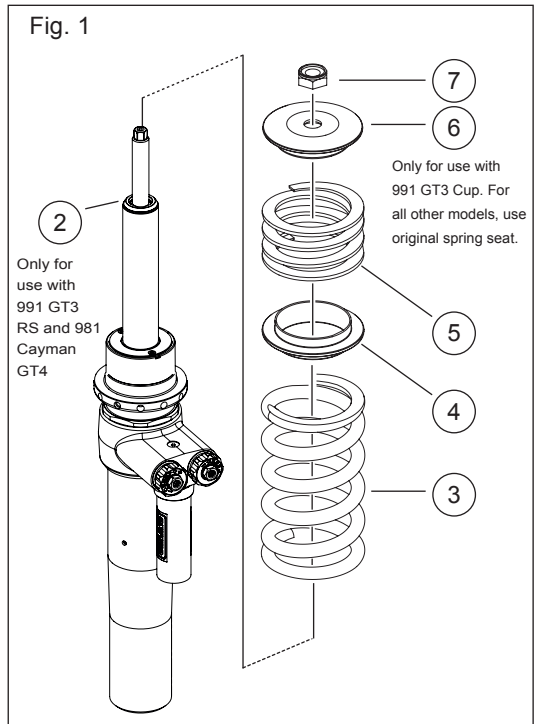
Put together the spring package (spring seat upper, main spring, spring support and helper spring).

👁 Note!

Make sure the lower edge of the spring support is facing the helper spring. See fig 2.

9

Thread the spring package over the damper, together with the OE top mount.



MOUNTING INSTRUCTIONS

10

Attach the top nut to the top pin and tighten.

11

Install the Öhlins shock absorber in the upright bracket with the reservoir bracket pointing towards the front.

12

Angle the shock absorber in under the fender.

13

Tighten the three top mount attachment nuts.

14

Retighten upright clamping screws.

15

Reattach the brake hoses.

16

Reinstall the wheel.

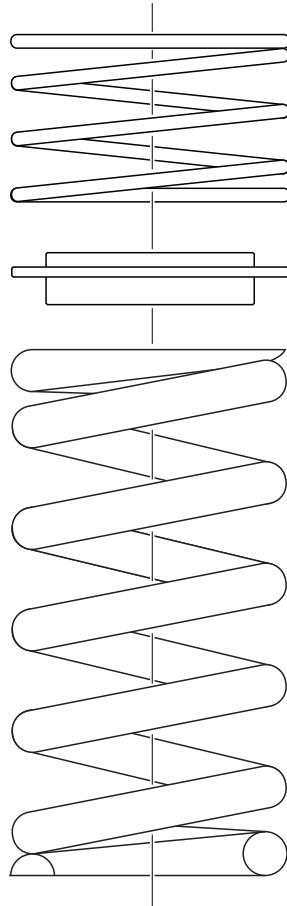
17

After installing all shock absorbers (front and rear), check the vehicle ride height. If necessary, adjust the ride height with spring preload. See Adjustments on the next page for recommended spring adjustment platform positions.

⚠ Caution!

Make sure that all bolts are tightened to the correct torque and that there are no binds and that nothing restricts movement of the shock absorber when the suspension is being fully compressed or extended.

Fig. 2



ADJUSTMENTS

⚠ Warning!

Before you ride/drive, always make sure that the setup is according to the recommended setup data. Read about adjustments and setting up in the Öhlins Owner's Manual before you make any adjustments. Contact an Öhlins dealer if you have any questions about setting up.

SETUP DATA

| | | |
|---------------------|----|--------|
| Compression damping | | |
| Street: | 20 | clicks |
| Track: | 15 | clicks |
| Rebound damping | | |
| Street: | 15 | clicks |
| Track: | 15 | clicks |

Recommended Springs

Main Spring (120 mm long, 60 mm ID)

| Car model | N/mm | Öhlins# | Eibach# |
|--|------|----------|----------------|
| 991 GT3, 981 Cayman GT4: | 100 | 48120-17 | ERS-120-60-100 |
| 991 GT3 RS, 991 GT3 Cup, 981 Cayman GT4 CS: | 120 | 48120-21 | ERS-120-60-120 |

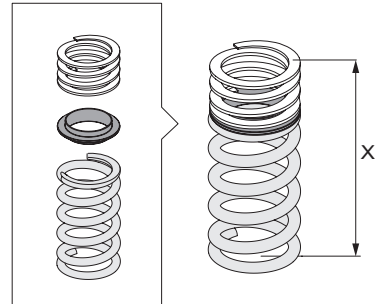
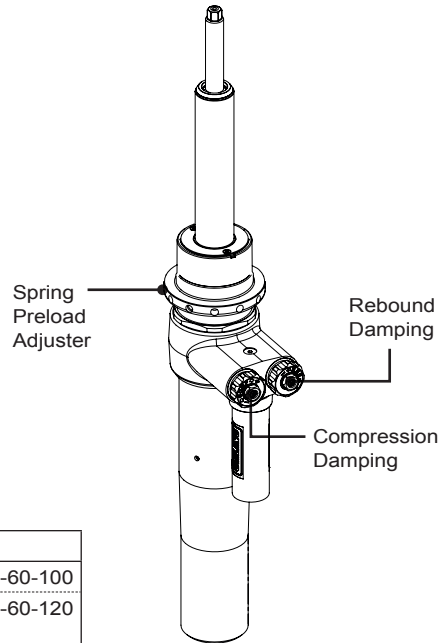
Helper spring

| Car model | Öhlins# | Eibach# |
|---------------------------------------|----------|----------------|
| 981 Cayman GT4/GT4 CS, 991 GT3 Cup | 05173-17 | ERS-40-60-20 |
| 991 GT3, 991 GT3 RS: | 05173-12 | ERS-60-60-0002 |

Recommended installed spring package length X

| | | |
|---------------------------------|-----|----|
| 991 GT3, 981 Cayman GT4: | 160 | mm |
| 991 GT3 RS | 158 | mm |
| 991 GT3 Cup, 981 Cayman GT4 CS: | 158 | mm |

Measured from upper edge of helper spring to lower part of main spring. Adjust the spring preload adjuster until desired installed spring package length is achieved.



Öhlins products are subject to continuous improvement and development, therefore, although these instructions include the most up-to-date information available at the time of printing, minor updates may occur.

To find the latest information contact an Öhlins distributor. Please contact Öhlins if you have any questions regarding the contents in this document.

Part no. MI_POF 5R00_4
Issued 2018-03-14

© Öhlins Racing AB. All rights reserved. Any reprinting or unauthorized use without the written permission of Öhlins Racing AB is prohibited.

Öhlins Racing AB
Box 722
S-194 27 Upplands Väsby, Sweden
Phone +46 8 590 025 00
fax +46 8 590 025 80



www.ohlins.com



Kit Contents

| | Description | Part No | Pcs |
|---|----------------------------|----------|-----|
| 1 | Shock abs. left/right Rear | POF 6R10 | 1 |
| 2 | Sticker | 00192-01 | 1 |
| 3 | Sticker | 00197-02 | 1 |
| 4 | Spring support | 05193-07 | 1 |
| 5 | Lock nut | 05359-01 | 1 |
| 6 | Spacer | 05688-04 | 1 |
| 7 | Spring seat, upper | 06211-01 | 1 |
| 8 | Owner's manual | 07446-01 | 1 |

👁 Note!

Please note that there can be small differences between your product and the images in these instructions.

👁 Note!

Please note that during storage and transport, especially at high ambient temperature, some of the oil and grease used for assembly may leak and stain the packaging. This will not cause damage to the product, wipe off the excessive oil or grease with a cloth.

👁 Note!

Before you install this product, check the kit contents. If anything is missing, please contact an Öhlins dealer.

⚠ Warning!

Before you install this product, read the Öhlins Owner's manual. This product is an important part of the vehicle and the vehicle stability.

Shock Absorber for Porsche 981 Cayman GT4/GT4 CS rear

POF 6R10

Mounting Instructions



MOUNTING INSTRUCTIONS

⚠ Warning!

We strongly recommend to let an Öhlins dealer install this product.

⚠ Warning!

If you work with a lifted vehicle, make sure that it is safely supported to prevent it from tipping over.

👁 Note!

When you work with this product, see the vehicle service manual for vehicle specific procedures and important data.

👁 Note!

Before you install this product clean the vehicle.

1

Remove the wheel.

2

Remove brake caliper from hub according to vehicle workshop manual. Support the caliper so that it does not tug at the brake line.

3

Support hub from below. Untighten the three top mount nuts.

4

Remove hub, wishbones and drive shaft according to vehicle workshop manual.

5

Remove OE damper from hub when the hub is off the car.

6

Use spring compressors to preload the spring and then remove the centre top nut of the top mount.

7

Put together the OE top mount, top mount spacer (05688-04) and Öhlins top spring seat (06211-01) with the Öhlins supplied main spring, support spring platform (05193-07) and helper spring.

8

Thread the spring package over the damper, together with the OE top mount.

9

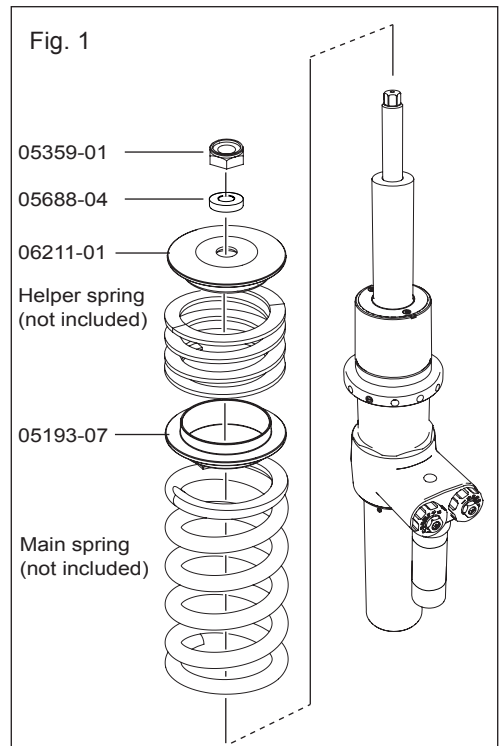
Attach the top nut (05359-01) to the top pin and tighten.

10

Install the Öhlins shock absorber in the upright, with the reservoir bracket pointing towards the rear.

11

Install the hub, wishbones, driveshaft and brake caliper again according to the vehicle workshop manual.



MOUNTING INSTRUCTIONS

12

Attach and tighten the three top mount attachment nuts.

Note!

Make sure the lower edge of the spring support (05193-07) is facing the helper spring. See fig 2.

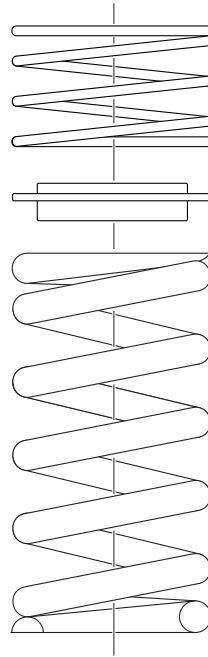
13

After installing all shock absorbers (front and rear), check the vehicle ride height. If necessary, adjust the ride height with spring preload. See Adjustments on the next page for recommended spring adjustment platform positions.

Caution!

Make sure that all bolts are tightened to the correct torque and that there are no binds and that nothing restricts movement of the shock absorber when the suspension is being fully compressed or extended.

Fig. 2



ADJUSTMENTS

⚠ Warning!

Before you ride/drive, always make sure that the setup is according to the recommended setup data. Read about adjustments and setting up in the Öhlins Owner's Manual before you make any adjustments. Contact an Öhlins dealer if you have any questions about setting up.

SETUP DATA

| | | | |
|---------------------|----|--|--------|
| Compression damping | | | |
| Street: | 20 | | clicks |
| Track: | 15 | | clicks |
| Rebound damping | | | |
| Street: | 15 | | clicks |
| Track: | 15 | | clicks |

Recommended Springs

Main Spring (140 mm long, 60 mm ID)

| Car model | N/mm | Öhlins# | Eibach# |
|--------------------|------|----------|----------------|
| 981 Cayman GT4: | 120 | 48140-21 | ERS 140-60-120 |
| 981 Cayman GT4 CS: | 140 | 48140-25 | ERS 140-60-140 |

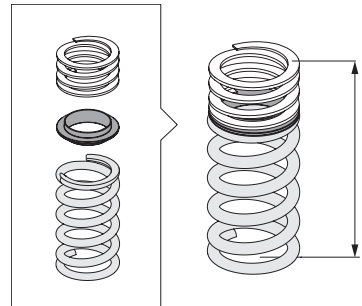
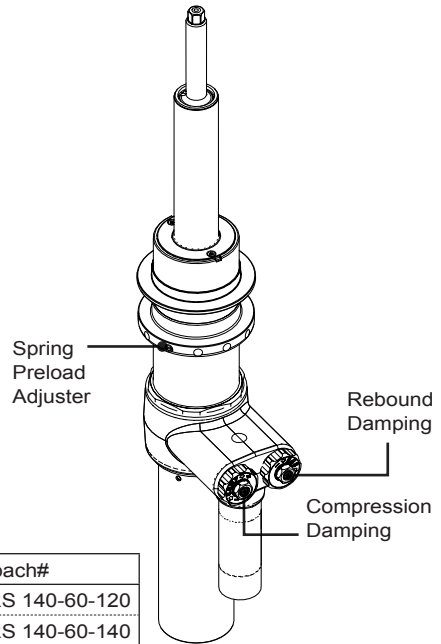
Helper spring

| Car model | Öhlins# | Eibach# |
|------------------------|----------|--------------|
| 981 Cayman GT4/GT4 CS: | 05173-17 | ERS-40-60-20 |

Recommended installed spring package length

| | | |
|------------------------|-----|----|
| 981 Cayman GT4/GT4 CS: | 170 | mm |
|------------------------|-----|----|

Measured from upper edge of helper spring to lower edge of main spring as illustrated to the right. Adjust the installed spring package length to adjust the ride height.



Öhlins products are subject to continuous improvement and development, therefore, although these instructions include the most up-to-date information available at the time of printing, minor updates may occur.

To find the latest information contact an Öhlins distributor. Please contact Öhlins if you have any questions regarding the contents in this document.

Part no. MI_POF 6R10_3
Issued 2017-03-28
Updated: 2018-06-14

© Öhlins Racing AB. All rights reserved. Any reprinting or unauthorized use without the written permission of Öhlins Racing AB is prohibited.

Öhlins Racing AB
Box 722
S-194 27 Upplands Väsby, Sweden
Phone +46 8 590 025 00
fax +46 8 590 025 80



www.ohlins.com