



👁 Note!

Please note that there can be small differences between your product and the images in these instructions.

👁 Note!

Please note that during storage and transport, especially at high ambient temperature, some of the oil and grease used for assembly may leak and stain the packaging. This will not cause damage to the product, wipe off the excessive oil or grease with a cloth.

Kit Contents	
Description	Pcs
Shock absorber	2
Dust boot	2
Spring	2
Lock nut M14	2
Mounted for both shock absorbers	
Sleeve	1
ABS cord bracket	1
Used for both front and rear	
C-spanner	1
C-spanner	1
Öhlins sticker	1
Öhlins Owner's Manual	1

👁 Note!

On some models 5 mm wheel spacers may be necessary for correct installation.

👁 Note!

Before you install this product, check the kit contents. If anything is missing, please contact an Öhlins dealer.

⚠ Warning!

Before you install this product, read the Öhlins Owner's manual. This product is an important part of the vehicle and the vehicle stability.

Shock absorber Kit for Porsche 911 Carrera (997)

POS MI20 front

Mounting Instructions



MOUNTING INSTRUCTIONS

⚠ Warning!

We strongly recommend to let an Öhlins dealer install this product.

⚠ Warning!

If you work with a lifted vehicle, make sure that it is safely supported to prevent it from tipping over.

👁 Note!

When you work with this product, see the vehicle service manual for vehicle specific procedures and important data.

👁 Note!

Before you install this product clean the vehicle.

1

Raise the vehicle and put it on jack stands.

2

Remove the front wheels.

3

Loosen the bolts for the lower strut attachments.

👋 Caution!

Support the wheel hubs in an appropriate way on each side of the vehicle so that the brake hoses can not be damaged.

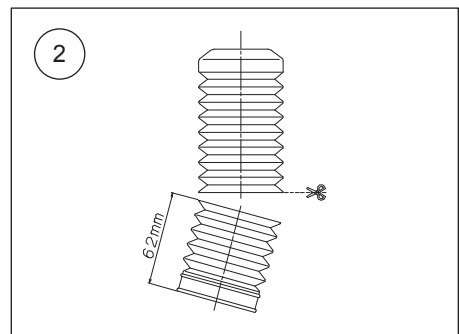
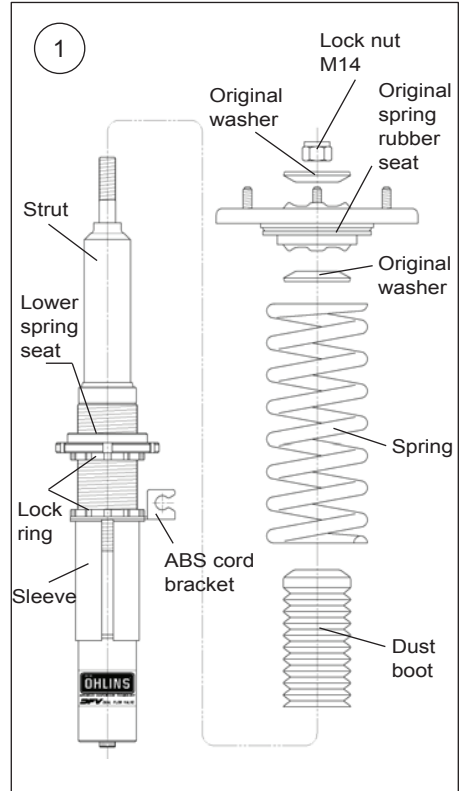
4

Loosen the upper attachments. Remove the original struts from the car.

When PASM dampers are removed, disable the PASM function in the ECU to avoid fault codes to appear. This can be done at a Porsche service center

5

Cut the dust boot 62 mm from the lower end with a pair of scissors according to fig 2.



MOUNTING INSTRUCTIONS

6

Tighten the lower spring seat and the lock ring to 50 - 60 Nm.

Fit the dust boot, the spring, the original washer, the original top mount and the lock nut M14 to the strut according to fig 3 Tighten the lock nut to 35 - 40 Nm.

7

Install the Öhlins McPherson struts on the vehicle according to fig 3 and 4.

8

Mount the ABS according to fig 4.

👁 **Note!**

When tightening the top mount nut, the shock absorber shaft must be held in position with a 6 mm Allen key.

9

Fasten the upper attachments.

10

Raise the wheel hub with a jack to remove the freeplay of the lower strut attachment bolts before tightening them.

👁 **Note!**

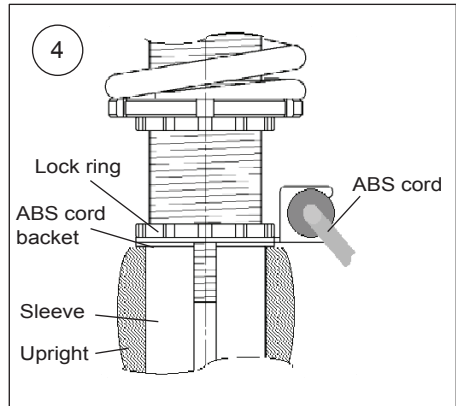
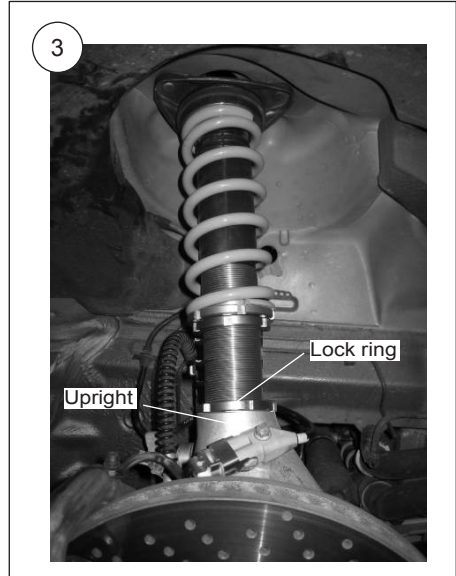
Make sure that all bolts are tightened to the correct torque and that nothing fouls or restricts movement of the strut when it is being fully compressed or extended. Test this over the whole steering range from lock to lock.

11

Tighten the lock ring to 40 - 50 Nm according to fig 4.

12

Make sure that all removed parts are reinstalled in the same way as they were before the installation of the Öhlins shock absorber.



ADJUSTMENTS

⚠ Warning!

Before you ride/drive, always make sure that the setup is according to the recommended setup data. Read about adjustments and setting up in the Öhlins Owner's Manual before you make any adjustments. Contact an Öhlins dealer if you have any questions about setting up.

The standard preload is 2 mm from a free length of 200 mm, giving 198 mm installed length, see fig 5.

SETUP DATA

Recommended set-up

Rebound setting		
Track	2-7	clicks
Winding road	5-10	clicks
Street	10-20	clicks
Spring preload	2	mm

Spring

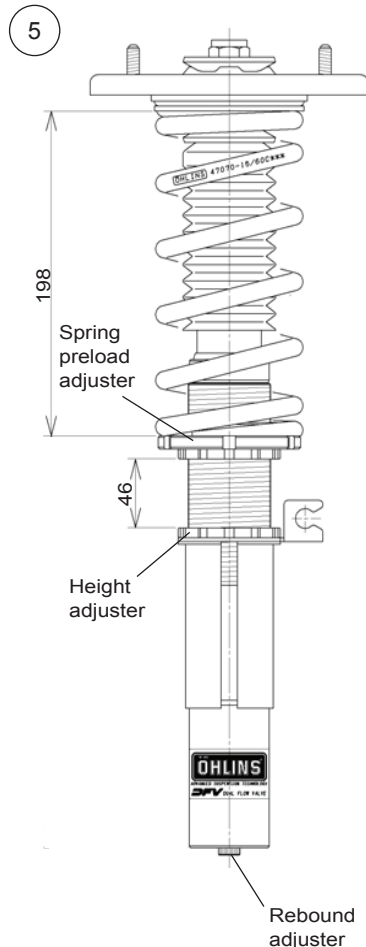
Spec H200, ID70, 60 N/mm

The actual vehicle height

With both the preload and height adjustments in their standard positions, the vehicle is lowered approximately 20 mm when compared to the original suspension. As the height adjuster is turned one rotation, the position moves 1.5 mm.

⚠ Warning!

The adjustment range is the standard position ± 15 mm.



Öhlins products are subject to continuous improvement and development, therefore, although these instructions include the most up-to-date information available at the time of printing, minor updates may occur.

To find the latest information contact an Öhlins distributor. Please contact Öhlins if you have any questions regarding the contents in this document.

Part no. MI_POSMI20_3
Issued 2016-09-09

© Öhlins Racing AB. All rights reserved. Any reprinting or unauthorized use without the written permission of Öhlins Racing AB is prohibited.

Öhlins Racing AB
Box 722
S-194 27 Upplands Väsby, Sweden
Phone +46 8 590 025 00
fax +46 8 590 025 80



www.ohlins.com



Kit Contents	
Description	Pcs
Shock absorber	2
Upper seat	2
Spring	2
Rubber seat	2
Washer	2
Lock nut M12	2
Dust boot	2
Mounted on shock absorbers	
Adjuster	2
Rubber spacer	2
Spacer	2
Used for both front and rear	
C-spanner	1
C-spanner	1
Öhlins sticker	1
Öhlins Owner's Manual	1

👁 Note!

Please note that there can be small differences between your product and the images in these instructions.

👁 Note!

Please note that during storage and transport, especially at high ambient temperature, some of the oil and grease used for assembly may leak and stain the packaging. This will not cause damage to the product, wipe off the excessive oil or grease with a cloth.

👁 Note!

On some models 5 mm wheel spacers may be necessary for correct installation.

👁 Note!

Before you install this product, check the kit contents. If anything is missing, please contact an Öhlins dealer.

⚠ Warning!

Before you install this product, read the Öhlins Owner's manual. This product is an important part of the vehicle and the vehicle stability.

Shock absorber Kit for Porsche 911 Carrera (997)

POS MI20 rear

Mounting Instructions



MOUNTING INSTRUCTIONS

⚠ Warning!

We strongly recommend to let an Öhlins dealer install this product.

⚠ Warning!

If you work with a lifted vehicle, make sure that it is safely supported to prevent it from tipping over.

👁 Note!

When you work with this product, see the vehicle service manual for vehicle specific procedures and important data.

👁 Note!

Before you install this product clean the vehicle.

👁 Note!

If the car is equipped with the BOSE loud speaker system you will need a wire adjuster. Parts need to be ordered separately

Part numbers:

24631-01 (1 pc/side)

24632-02 (1 pc/side)

24633-01 (1 pc/side)

24633-02 (1 pc/side)

1

Raise the vehicle and put it on jack stands.

⚠ Warning!

Ensure that it is securely supported.

2

Remove the rear wheels.

3

Remove the lower and the upper attachments and remove the original shock absorbers. When PASM dampers are removed, disable the PASM function in the ECU to avoid fault codes to appear. This can be done at a Porsche service center.

4

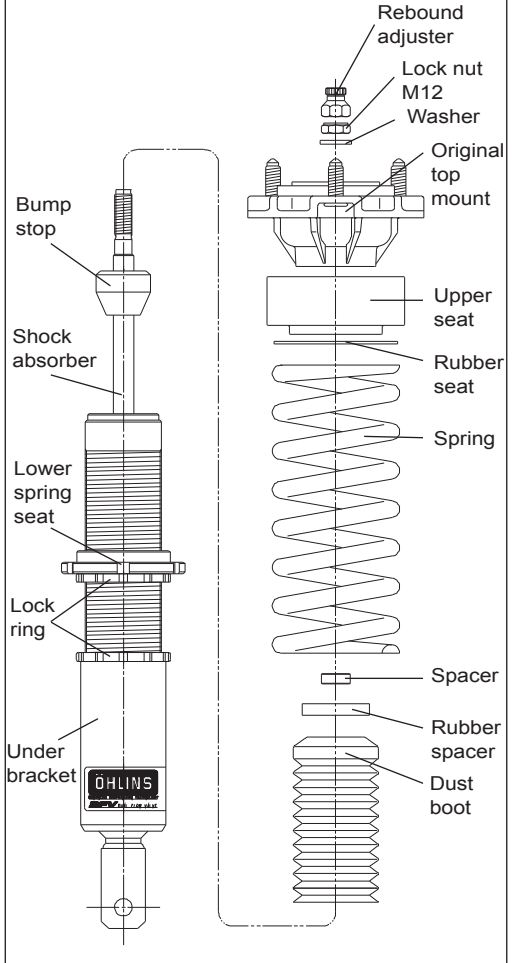
Tighten the lower spring seat and the lock ring to 50 - 60 Nm.

Fit the dust boot, the spring, the rubber seat, the upper seat, the top mount and the adjuster according to fig 1 and 3. Tighten the lock nut to 30 Nm.

1

👁 Note!

Install the rubber seat between the spring and the upper seat.



👁 Caution!

When tightening the lock nut, the shock absorber shaft must be held in position with a flat screwdriver.

5

Cut the dust boot 82 mm from the lower end with a pair of scissors according to fig 2.

MOUNTING INSTRUCTIONS

6

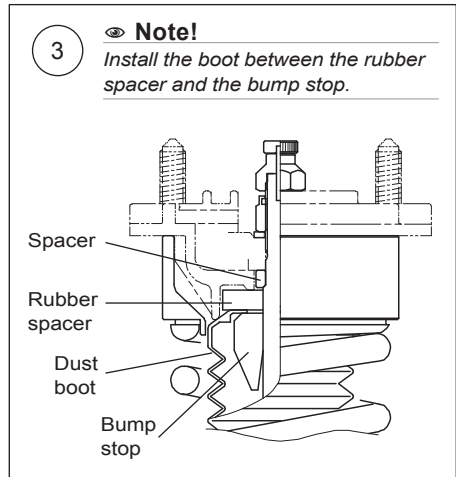
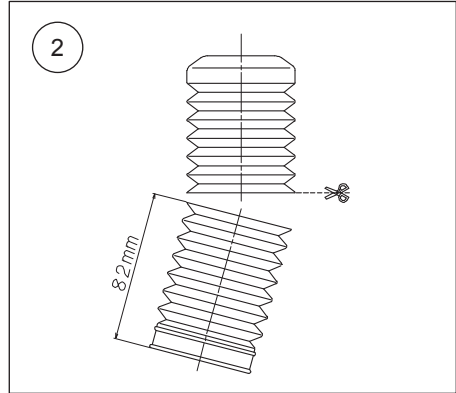
Install the Öhlins shock absorbers on the vehicle.

7

Make sure that all removed parts are reinstalled in the same way as they were before the installation of the Öhlins shock absorber.

Note!

Make sure that all bolts are tightened to the correct torque and that nothing fouls or restricts movement of the shock absorber when it is being fully compressed or extended.



ADJUSTMENTS

⚠ Warning!

Before you ride/drive, always make sure that the setup is according to the recommended setup data. Read about adjustments and setting up in the Öhlins Owner's Manual before you make any adjustments. Contact an Öhlins dealer if you have any questions about setting up.

The standard preload is 2 mm from a free length of 200 mm, giving 198 mm installed length, see fig 4.

SETUP DATA

Recommended set-up

Rebound setting		
Track	2-7	clicks
Winding road	5-10	clicks
Street	10-20	clicks
Spring preload	2	mm

Spring

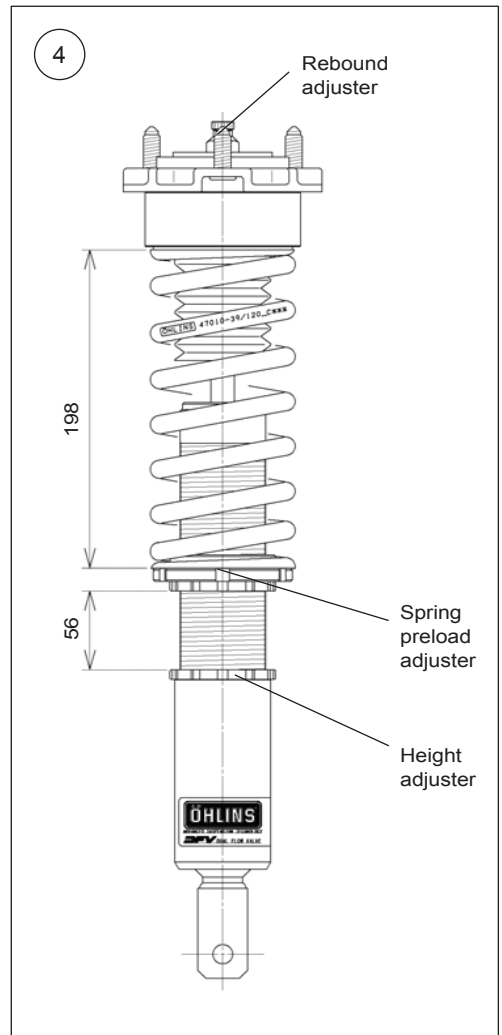
Spec H200, ID65, 120 N/mm

The actual vehicle height

With both the preload and height adjustments in their standard positions, the vehicle is lowered approximately 20 mm when compared to the original suspension. As the height adjuster is turned one rotation, the position moves 1.5 mm.

⚠ Warning!

The adjustment range is the standard position -8 to +15 mm. If the bracket is moved outside the adjustment range, it may come loose.



Öhlins products are subject to continuous improvement and development, therefore, although these instructions include the most up-to-date information available at the time of printing, minor updates may occur.

To find the latest information contact an Öhlins distributor. Please contact Öhlins if you have any questions regarding the contents in this document.

Part no. ML_POSM20_3
Issued 2016-09-09

© Öhlins Racing AB. All rights reserved. Any reprinting or unauthorized use without the written permission of Öhlins Racing AB is prohibited.

Öhlins Racing AB
Box 722
S-194 27 Upplands Väsby, Sweden
Phone +46 8 590 025 00
fax +46 8 590 025 80



www.ohlins.com