



Kit Contents

	Description	Part No	Pcs
1	Shock absorber front	POZ 5R90	2
2	Lock nut M52	00533-21	2
3	Spring platform M52	05018-11	2
4	Dust boot	10216-01	2
5	Plastic spring spacer	25602-01	2
6	Spring		2
7	Upper spring seat adapter	25618-21	2
8	Nut M14	24618-09	2
9	C-spanner	00710-02	2
10	Öhlins sticker kit	10207-01	1
11	Öhlins emblem kit	10207-02	1
12	Öhlins Owners Manual	07451-01	1

👁 Note!

Please note that there can be small differences between your product and the images in these instructions.

👁 Note!

Please note that during storage and transport, especially at high ambient temperature, some of the oil and grease used for assembly may leak and stain the packaging. This will not cause damage to the product, wipe off the excessive oil or grease with a cloth.

👁 Note!

Before you install this product, check the kit contents. If anything is missing, please contact an Öhlins dealer.

⚠ Warning!

Before you install this product, read the Öhlins Owner's manual. This product is an important part of the vehicle and the vehicle stability.

Shock absorber Kit for Porsche 981 Cayman GT4

POZ MR90 front

Mounting Instructions



MOUNTING INSTRUCTIONS

⚠ Warning!

We strongly recommend to let an Öhlins dealer install this product.

⚠ Warning!

If you work with a lifted vehicle, make sure that it is safely supported to prevent it from tipping over.

👁 Note!

When you work with this product, see the vehicle service manual for vehicle specific procedures and important data.

1

Raise the vehicle and put it on jack stands.

2

Remove the front wheels.

3

Loosen the bolts for the lower strut attachments.

👉 Caution!

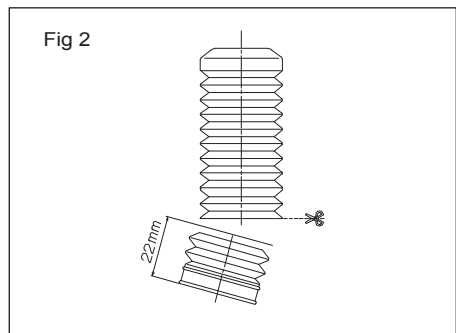
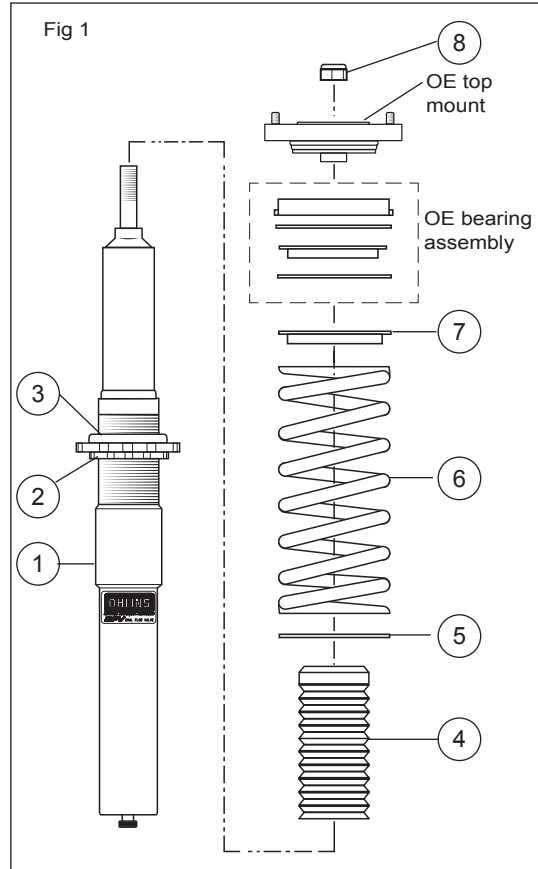
Support the wheel hubs in an appropriate way on each side of the vehicle so that the brake hoses can not be damaged.

4

Loosen the upper attachments. Remove the original struts from the car.

5

Cut the dust boot 22 mm from the lower end with a pair of scissors according to fig 2.



MOUNTING INSTRUCTIONS

6

Fit the dust boot (4), the plastic spring spacer (5), the spring (6), the upper spring seat adapter (7), the OE bearing assembly, the top mount, the M14 lock nut (8) to the strut according to fig 1. Tighten the lock nut to 35 - 40 Nm. Adjust the spring seat and lock ring according to fig 3 and tighten with c-spanners.

Note!

When tightening the top mount nut, the shock absorber shaft must be held in position with an Allen key.

7

Fasten the upper attachments to the vehicle.

8

Raise the wheel hub with a jack to remove the freeplay of the lower strut attachment bolts before tightening them.

Note!

Make sure that all bolts are tightened to the correct torque and that nothing fouls or restricts movement of the strut when it is being fully compressed or extended. Test this over the whole steering range from lock to lock.

9

Make sure that all removed parts are reinstalled in the same way as they were before the installation of the Öhlins shock absorber.

ADJUSTMENTS

⚠ Warning!

Before you ride/drive, always make sure that the setup is according to the recommended setup data. Read about adjustments and setting up in the Öhlins Owner's Manual before you make any adjustments. Contact an Öhlins dealer if you have any questions about setting up.

The preload is 10 mm from a free length of 180 mm, giving 170 mm installed length, see fig 4.

SETUP DATA

Recommended set-up

Rebound setting		
Track	2-7	clicks
Winding road	5-10	clicks
Street	10-20	clicks
Spring preload	10	mm

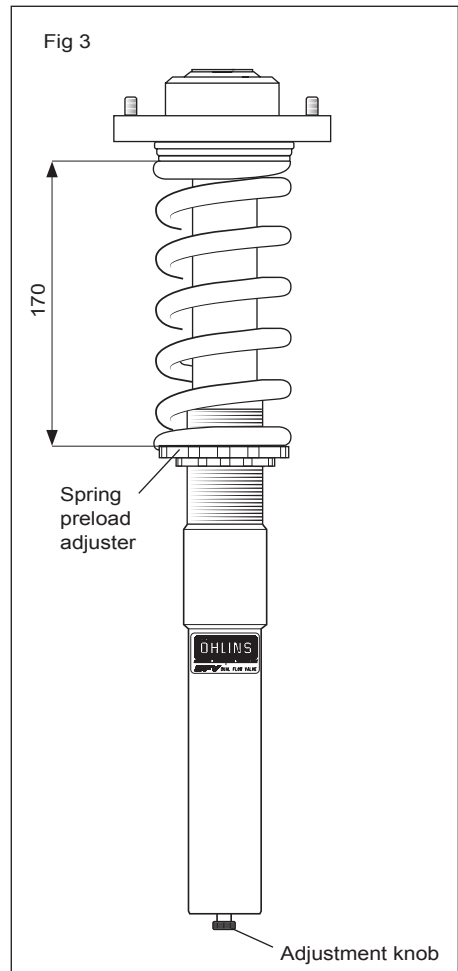
Recommended spring

48000-23 (80 Nm/mm)

The actual vehicle height

With the spring preload adjuster set to the recommended position, the vehicle is lowered approximately 10 mm when compared to the original suspension.

The spring preload adjustment range is 2-15 mm giving approximately 5-20 mm lower ride height of the car.



Öhlins products are subject to continuous improvement and development, therefore, although these instructions include the most up-to-date information available at the time of printing, minor updates may occur.

To find the latest information contact an Öhlins distributor. Please contact Öhlins if you have any questions regarding the contents in this document.

Part no. MI_POZMR90_0
Issued 2018-06-08
Updated 2018-10-10

© Öhlins Racing AB. All rights reserved. Any reprinting or unauthorized use without the written permission of Öhlins Racing AB is prohibited.

Öhlins Racing AB
Box 722
S-194 27 Upplands Väsby, Sweden
Phone +46 8 590 025 00
fax +46 8 590 025 80



www.ohlins.com



Kit Contents

	Description	Part No	Pcs
1	Shock absorber rear	POZ 6R90	2
2	Lock nut M52	00533-21	2
3	Spring platform M52	05018-11	2
4	Dust boot	10216-01	2
5	Plastic spring spacer	25602-01	2
6	Helper spring		2
7	Spring support	05193-13	2
8	Main spring		2
9	Upper spring seat adapter	25618-21	2
10	Nut M14	24618-09	2
11	Öhlins sticker kit	10207-01	1
12	Öhlins emblem kit	10207-02	1
13	Öhlins Owners Manual	07451-01	1

👁 Note!

Please note that there can be small differences between your product and the images in these instructions.

👁 Note!

Please note that during storage and transport, especially at high ambient temperature, some of the oil and grease used for assembly may leak and stain the packaging. This will not cause damage to the product, wipe off the excessive oil or grease with a cloth.

👁 Note!

Before you install this product, check the kit contents. If anything is missing, please contact an Öhlins dealer.

⚠ Warning!

Before you install this product, read the Öhlins Owner's manual. This product is an important part of the vehicle and the vehicle stability.

Shock absorber Kit for Porsche 981 Cayman GT4

POZ MR90 rear

Mounting Instructions



MOUNTING INSTRUCTIONS

⚠ Warning!

We strongly recommend to let an Öhlins dealer install this product.

⚠ Warning!

If you work with a lifted vehicle, make sure that it is safely supported to prevent it from tipping over.

👁 Note!

When you work with this product, see the vehicle service manual for vehicle specific procedures and important data.

👁 Note!

Before you install this product clean the vehicle.

1

Raise the vehicle and put it on jack stands.

⚠ Warning!

Ensure that it is securely supported.

2

Remove the rear wheels.

3

Remove the interior in the rear compartment to access the top mount nuts.

4

Remove the lower and the upper attachments and remove the original shock absorbers.

5

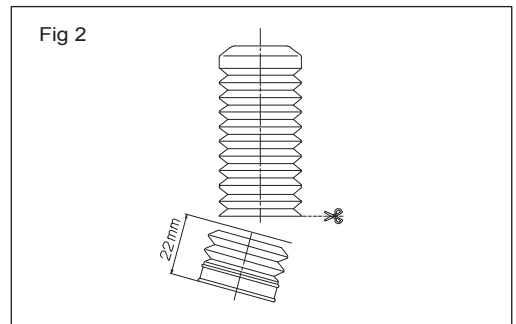
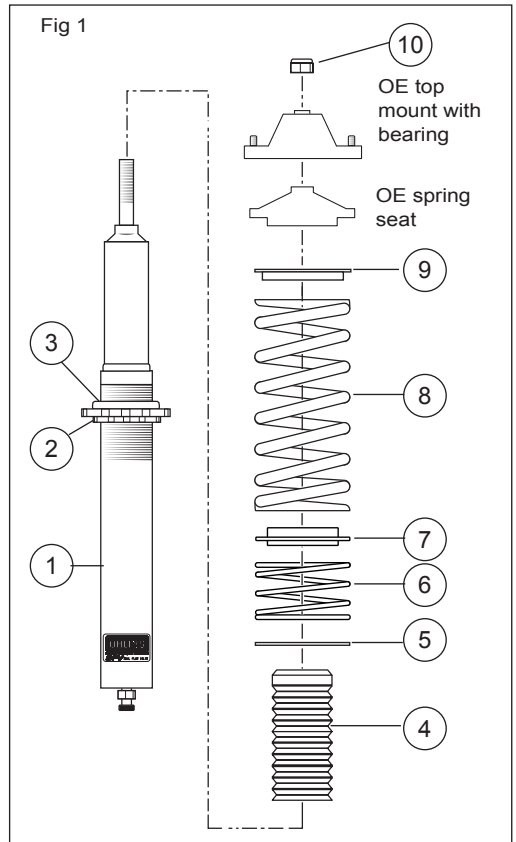
Cut the dust boot 22 mm from the lower end with a pair of scissors according to fig 2.

6

Fit the dust boot (4), the plastic spring spacer (5), the helper spring (6), the spring support (7) the main spring (8), the upper spring seat adapter (9), the OE spring seat, the top mount and the M14 lock nut (10) to the strut according to fig 1. Tighten the lock nut to 35 - 40 Nm. Adjust the spring seat and the lock ring according to fig 3 and tighten with c-spanners.

👉 Caution!

When tightening the top mount nut, the shock absorber shaft must be held in position with an Allen key.



MOUNTING INSTRUCTIONS

7

Install the Öhlins shock absorbers on the vehicle and fasten the upper attachments.

8

Raise the wheel hub with a jack to remove the freeplay of the lower strut attachment bolts before tightening them.

9

Make sure that all removed parts are reinstalled in the same way as they were before the installation of the Öhlins shock absorber.

👁 Note!

Make sure that all bolts are tightened to the correct torque and that nothing fouls or restricts movement of the shock absorber when it is being fully compressed or extended.

👁 Note!

If the vehicle is equipped with OEM PASM shock absorbers, use Öhlins cancellation kit part nr 35020-13. Please contact an Öhlins dealer.

ADJUSTMENTS

⚠ Warning!

Before you ride/drive, always make sure that the setup is according to the recommended setup data. Read about adjustments and setting up in the Öhlins Owner's Manual before you make any adjustments. Contact an Öhlins dealer if you have any questions about setting up.

The installed spring length (main + helper) is 210 mm. See fig 3.

SETUP DATA

Recommended set-up

Rebound setting		
Track	2-7	clicks
Winding road	5-10	clicks
Street	10-20	clicks
Installed spring length	210	mm

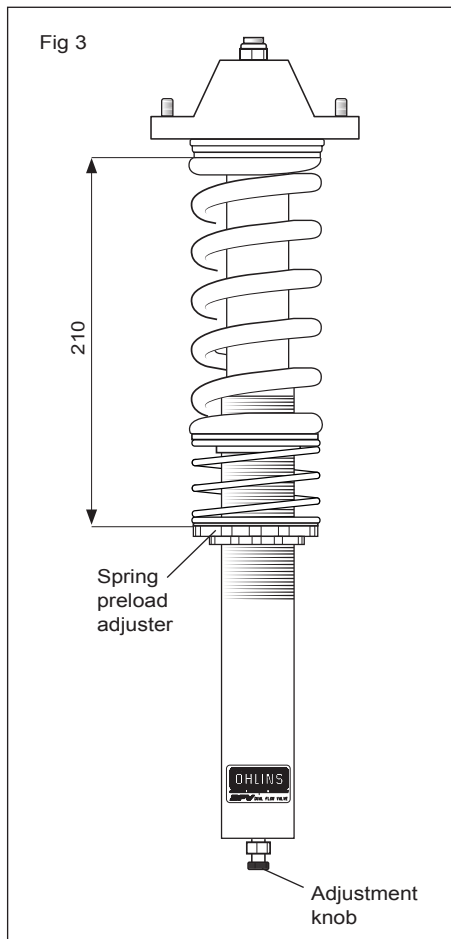
Recommended spring

Main spring: 48000-27 (90 Nm/mm)

Helper spring: 05173-20

The actual vehicle height

With the preload adjustment in their recommended position, the vehicle is lowered approximately 10 mm when compared to the original suspension.



Öhlins products are subject to continuous improvement and development, therefore, although these instructions include the most up-to-date information available at the time of printing, minor updates may occur.

To find the latest information contact an Öhlins distributor. Please contact Öhlins if you have any questions regarding the contents in this document.

Part no. MI_POZMR90_0
Issued 2018-06-08
Updated 2018-10-10

© Öhlins Racing AB. All rights reserved. Any reprinting or unauthorized use without the written permission of Öhlins Racing AB is prohibited.

Öhlins Racing AB
Box 722
S-194 27 Upplands Väsby, Sweden
Phone +46 8 590 025 00
fax +46 8 590 025 80



www.ohlins.com